

RANGE FLEX SYSTEM

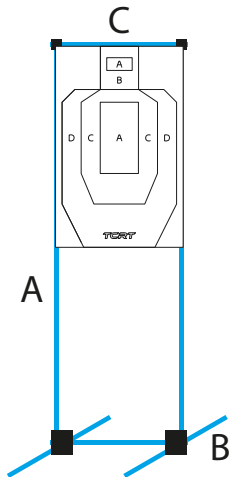
CUT SHEET & SETUP



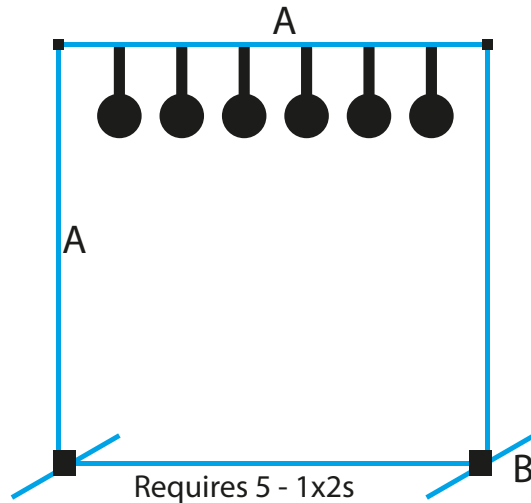
RACK STAND

- A - 4 @ 66"
- B - 2 @ 32"
- C - 2 @ 22"

- 2 @ Rack Stand Base
- 2 @ Corner Brackets

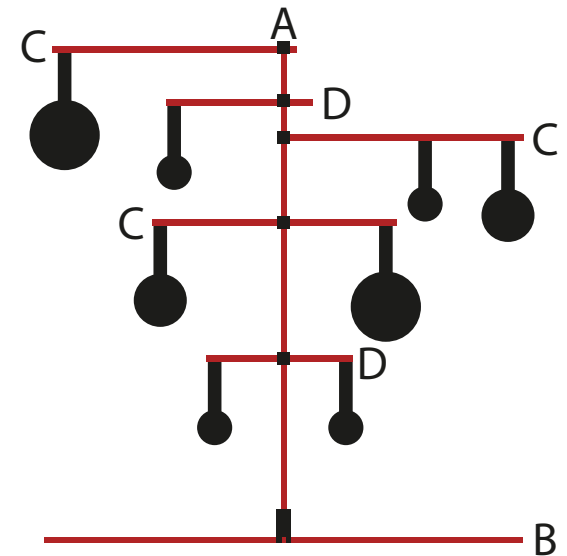


Requires 4 - 1x2s



TREE STAND

- A - 1 @ 66"
- B - 3 @ 32"
- C - 3 @ 30"
- D - 2 @ 18"
- 1 @ Tree Stand Base
- 5 @ Corner Brackets



NOTE: We suggest making the 1x2 feet at least 36" long. TCRT targets and stands are lightweight and we've found that anything shorter than 36" might cause the target stand to fall over in a strong breeze.

Base Bracket Orientation

Place the TCRT logo toward the shooter

The RangeFlex System is extremely modular and allows for countless configurations. Simply purchase some inexpensive 1x2 lumber and use the cutlist above or feel free to add additional lumber to design any course of fire you can imagine.

